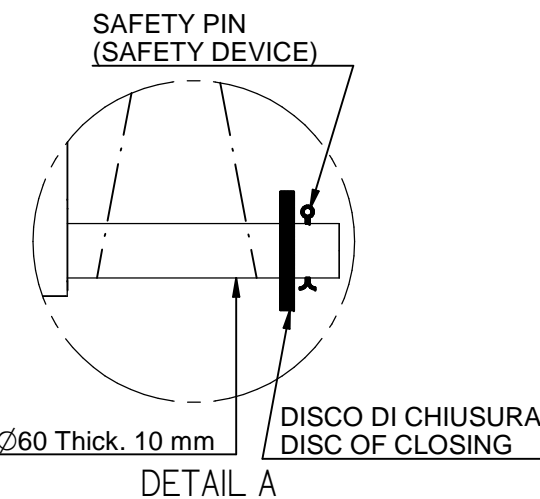
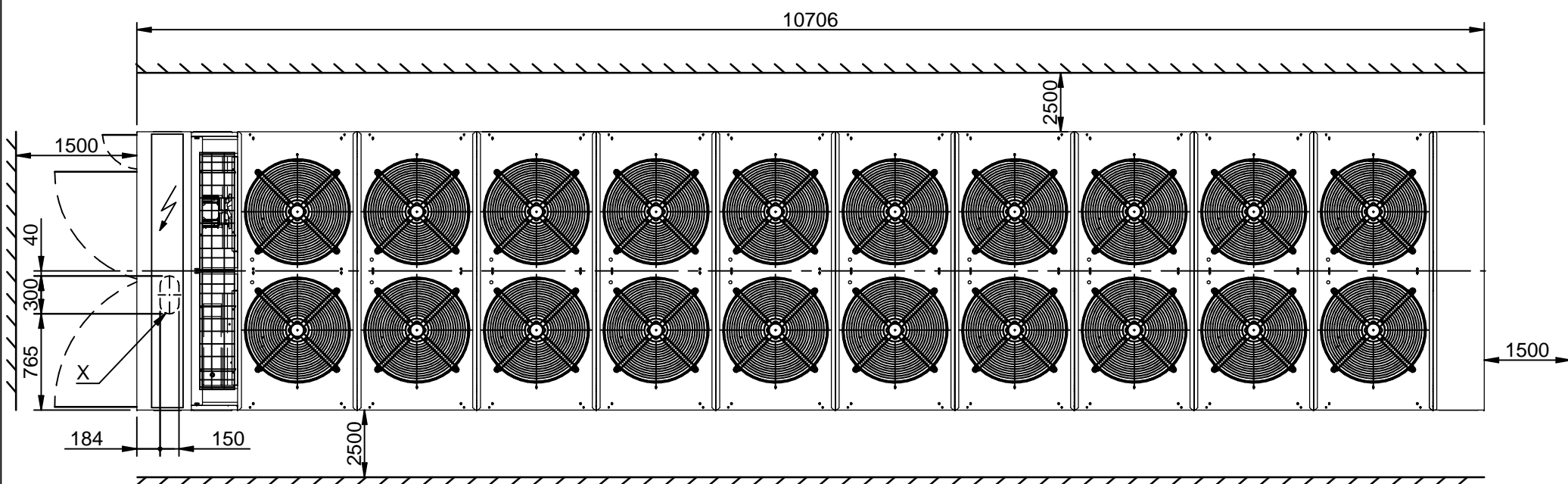


N°18 holes Ø23mm for floor mounted ATs/ATV (OPT)

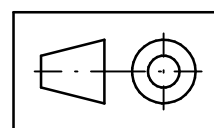


LEGEND

HPG	High pressure gauge
LPG	Low pressure gauge
ATS	Spring type antivibrant mounting (Opt)
ATV	Rubber type antivibrant mounting (Opt)

LIFTING AND CARRIAGE PRECAUTIONS

- Check the weight on the CE label to select appropriate lift equipment .
- Before lifting the unit make sure that the external panel is firmly fixed in place.
- To use only lifting points provided.
- The chains or slings must be of equal length.
- To use a spread-bar to avoid damage to the unit.
- The movement must be performed with caution and avoid abrupt movements.
- Never move the unit on rollers.
- Never lift the unit using a fork-lift.



X: ELECTRIC FEED HOLE

Scala-Scale	Data-Date	Dis.to-Drawn	N°Pezzi
	30/03/15	B.P.	
Peso-Weight Kg.	Materiali-Materials		
Denominazione-Denomination			
WATER CHILLERS mod. EET.1350/CS.ST.NT.NP...			
Particolare-Detail			
Overall dimension - Lift Instruction			
FRAME 10700x2210x2450			

MOD.	EMPTY WEIGHT	OPERATING WEIGHT	HYDRAULIC CONNECTIONS
EET.1350	10400 kg	10780 kg	DN200

HITEMA®

DIS.-DRAW N.	DIM-EET-1350ST01
Rev.	01-01/07/2015-M.S.
PROGRAM.N.	