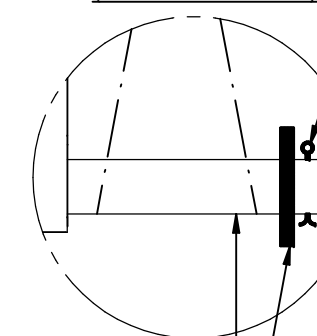


N°18 holes Ø23mm  
for floor mounted  
ATS/ATV (OPT)

SAFETY PIN  
(SAFETY DEVICE)



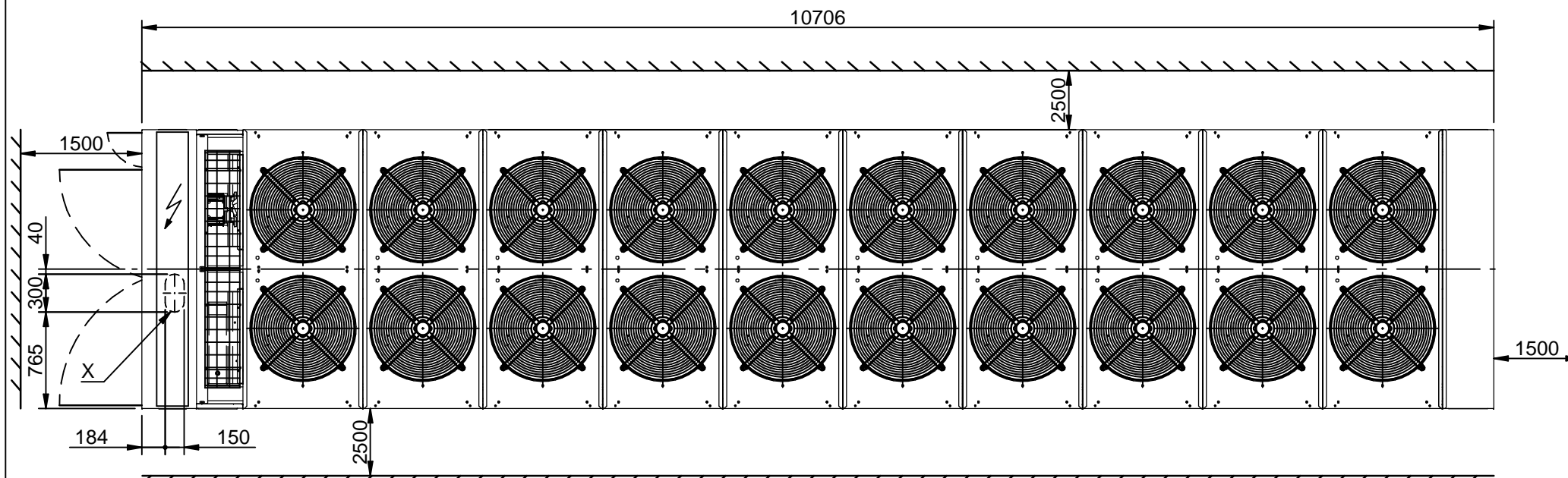
PIPE Ø60 Thick. 10 mm  
DISCO DI CHIUSURA  
DISC OF CLOSING

DETAIL A

**LEGEND**

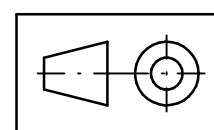
HPG	High pressure gauge
LPG	Low pressure gauge
ATS	Spring type antivibrant mounting ( Opt )
ATV	Rubber type antivibrant mounting ( Opt )

MOD.	EMPTY WEIGHT	OPERATING WEIGHT	HYDRAULIC CONNECTIONS
EEF.1100	10500 kg	10850 kg	DN200
EEF.1210	10600 kg	10950 kg	DN200



**LIFTING AND CARRIAGE PRECAUTIONS**

- Check the weight on the CE label to select appropriate lift equipment .
- Before lifting the unit make sure that the external panel is firmly fixed in place.
- To use only lifting points provided.
- The chains or slings must be of equal length.
- To use a spread-bar to avoid damage to the unit.
- The movement must be performed with caution and avoid abrupt movements.
- Never move the unit on rollers.
- Never lift the unit using a fork-lift.



X: ELECTRIC FEED HOLE

Scala-Scale	Data-Date	08/02/17	Dis.to-Drawn	B.P.	N°Pezzi	<b>HITEMA</b> <sup>®</sup>	
Peso-Weight Kg.	Materiali-Materials						
Denominazione-Denomination						DIS.-DRAW N.	DIM-EEF-1100ST01
WATER CHILLERS mod. EEF.1100÷1210/CS.ST.NT.NP...						Rev.	00
Particolare-Detail						PROGRAM.N.	
Overall dimension - Lift Instruction							
FRAME 10700x2210x2450							