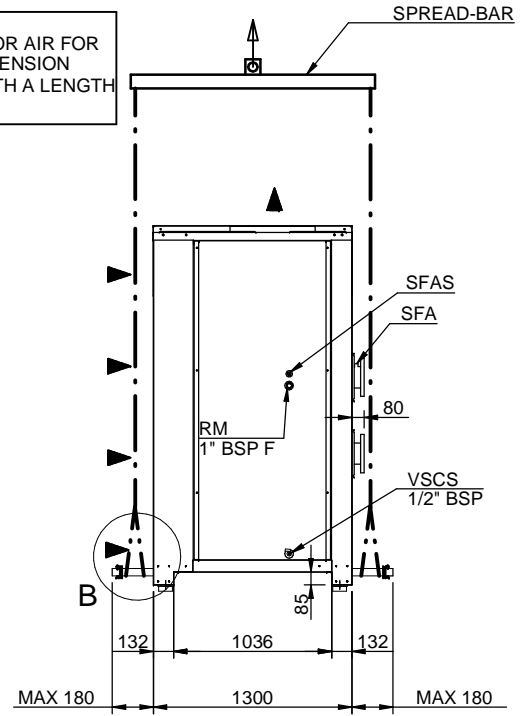
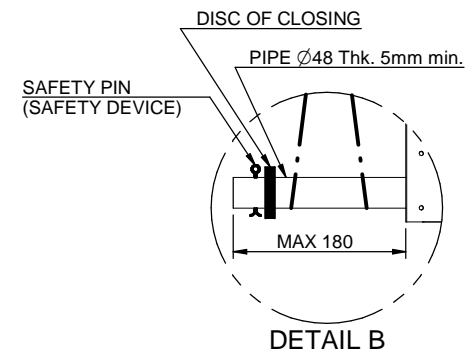
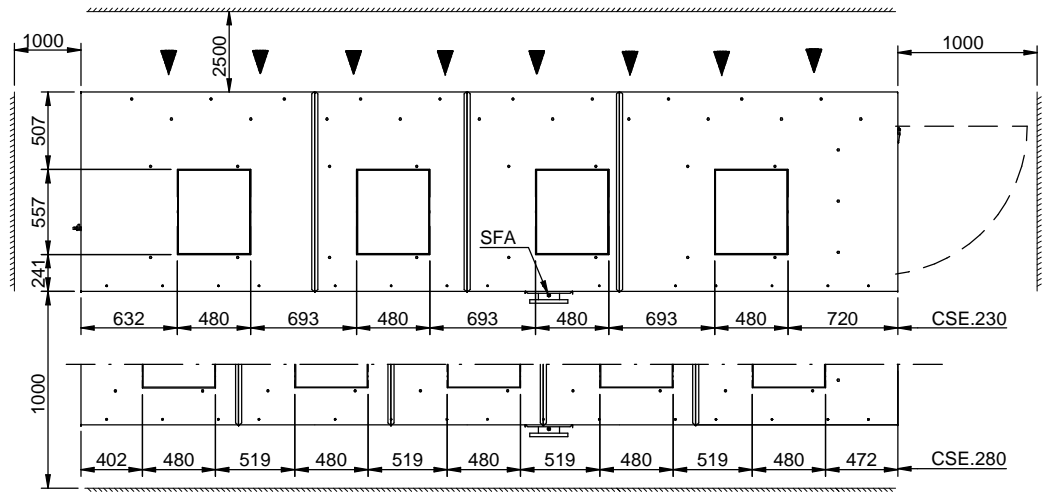


(\*  
MAKE STRAIGHT PIPING FOR AIR FOR EACH FAN WITH SAME DIMENSION OF FAN DELIVERY AND WITH A LENGTH BIGGER THAN 2 METERS



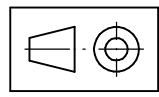
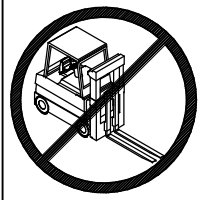
**LEGEND**

HPG	High pressure gauge
LPG	Low pressure gauge
MW	Water pressure gauge
RM	Manual water filling cap
SFAS	Tank manual air vent
SFA	Manual air vent
VSCS	Tank water drain valve
ATV	Rubber type antivibrant mounting ( Opt )



**LIFTING AND CARRIAGE PRECAUTIONS**

- Check the weight on the CE label to select appropriate lift equipment .
- Before lifting the unit make sure that the external panel is firmly fixed in place.
- To use only lifting points provided.
- The chains or slings must be of equal length.
- To use a spread-bar to avoid damage to the unit.
- The movement must be performed with caution and avoid abrupt movements.
- Never move the unit on rollers.
- Never lift the unit using a fork-lift.



MOD.	EMPTY WEIGHT	OPERATING WEIGHT	N° FANS
CSE.230	2245 kg	2800 kg	4
CSE.280	2395 kg	2955 kg	5

Scala-Scale	Data-Date	Dis.to-Drawn	N°Pezzi
	01/09/14	B.C.	
Peso-Weight Kg.	Materiali-Materials		
Denominazione-Denomination			
WATER CHILLERS mod. CSE.230-280			
Particolare-Detail			
Overall dimension - Lift Instruction			
REFRIGERANT R410a			

**HITEMA®**

DIS-DRAW N. DIM-CSE-230ST01

Rev. 02 - B.C. - 13/01/17

PROGRAM.N.