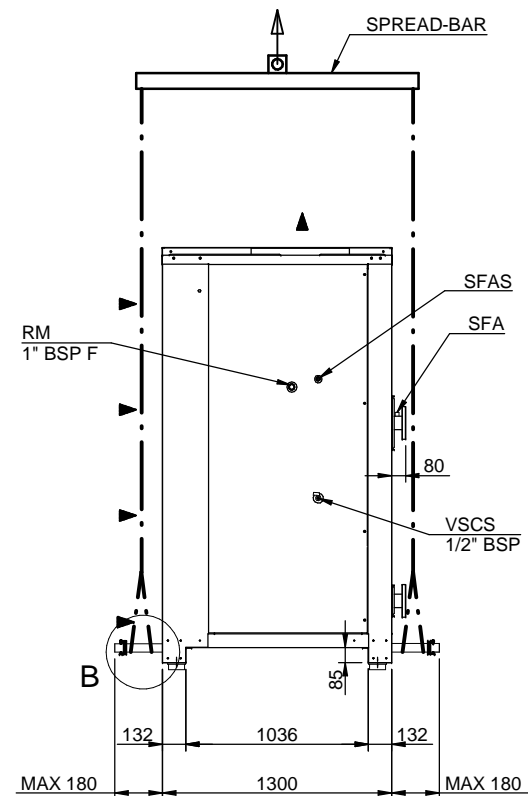
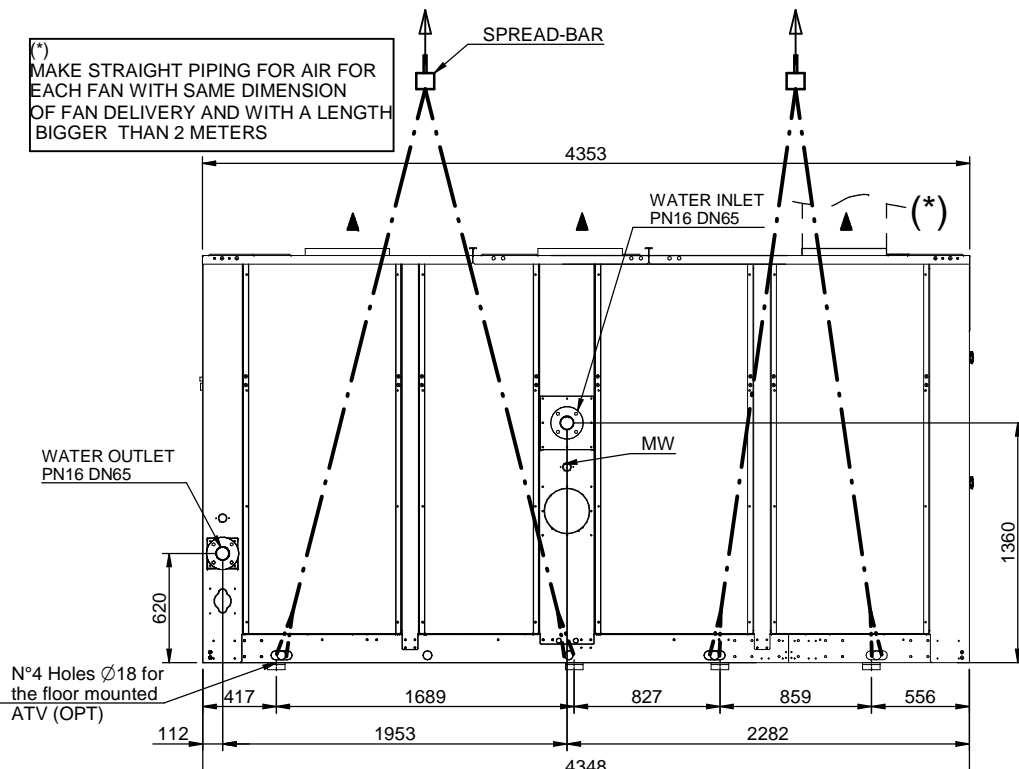


(*) MAKE STRAIGHT PIPING FOR AIR FOR EACH FAN WITH SAME DIMENSION OF FAN DELIVERY AND WITH A LENGTH BIGGER THAN 2 METERS

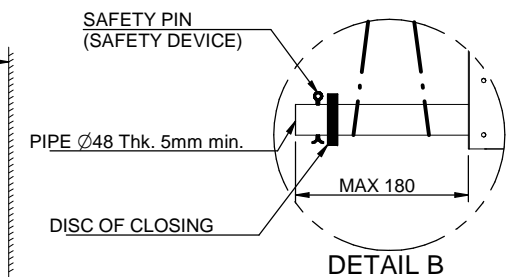
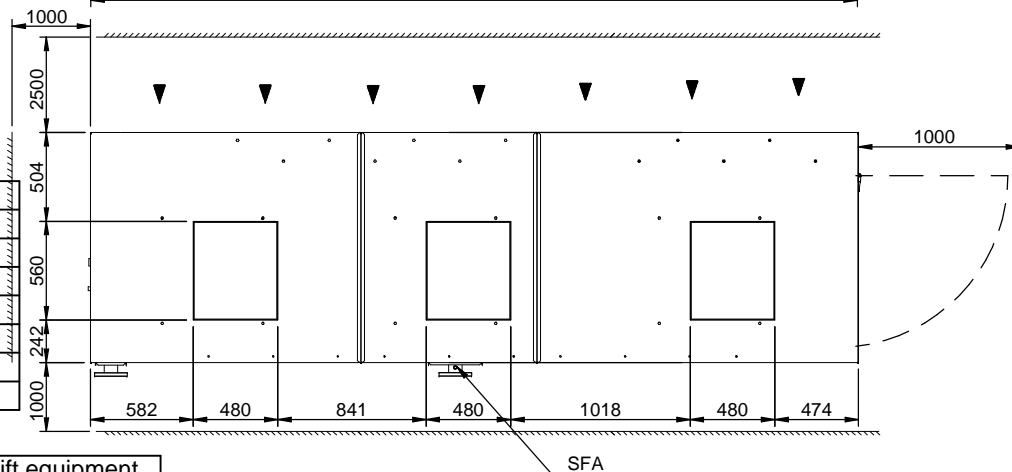
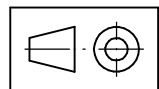


LEGEND

| | |
|------|--|
| HPG | High pressure gauge |
| LPG | Low pressure gauge |
| MW | Water pressure gauge |
| RM | Manual water filling cap |
| SFAS | Tank manual air vent |
| SFA | Manual air vent |
| VSCS | Tank water drain valve |
| ATV | Rubber type antivibrant mounting (Opt) |

LIFTING AND CARRIAGE PRECAUTIONS

- Check the weight on the CE label to select appropriate lift equipment .
- Before lifting the unit make sure that the external panel is firmly fixed in place.
- To use only lifting points provided.
- The chains or slings must be of equal length.
- To use a spread-bar to avoid damage to the unit.
- The movement must be performed with caution and avoid abrupt movements.
- Never move the unit on rollers.
- Never lift the unit using a fork-lift.



| MOD. | EMPTY WEIGHT | OPERATING WEIGHT |
|---------|--------------|------------------|
| CSE.185 | 1730 kg | 2170 kg |

| | | | |
|---|---------------------|--------------|---------|
| Scala-Scale | Data-Date | Dis.to-Drawn | N°Pezzi |
| | 08/02/17 | B.C. | |
| Peso-Weight Kg. | Materiali-Materials | | |
| Denominazione-Denomination | | | |
| WATER CHILLERS mod. CSE.185/CS.ST.T.WP. | | | |
| Particolare-Detail | | | |
| Overall dimension - Lift Instruction | | | |
| REFRIGERANT R410a | | | |

| | |
|----------------|-----------------|
| HITEMA® | |
| DIS.-DRAW N. | DIM-CSE-185ST01 |
| Rev. | 00 |
| PROGRAM.N. | |